



RF Components

L-Band Multiplexer

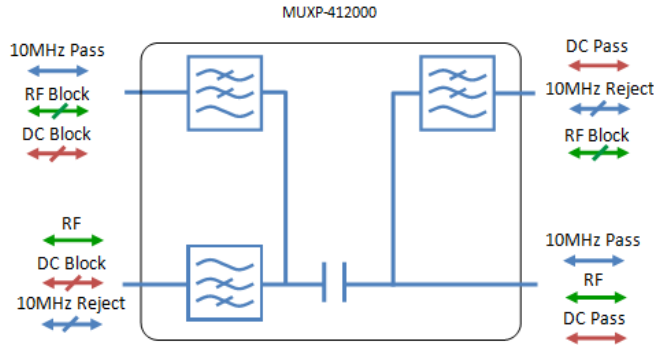
850 - 2150 MHz

Model Number:
MUXP-412000-xxxxxxxx

- Multiplexes L-band, DC & 10 MHz
- Port 1 and Port 2 are DC pass
- 10MHz Input port is DC blocked
- L-band isolation - 42dB min
- 10 MHz Isolation -90 dB min

Available with RF connector options:

- 50 Ω SMA
- 50 Ω N-Type
- 50 Ω BNC
- 75 Ω BNC
- 75 Ω F-Type



Multiplexer

RF Parameters						
MUXP-412000		S5S5S5	N5N5N5	B5B5B5	B7B7B7	F7F7F7
Frequency Range		850 – 2150 MHz	850 – 2150 MHz	850 – 2150 MHz	850 – 2150 MHz	850 – 2150 MHz
Port Connectors		50 Ω SMA	50 Ω N-Type	50 Ω BNC	75 Ω BNC	75 Ω F-Type
RF Input to MUX Port:		-	-	-	-	-
Mean Insertion Loss (dB)	Max	0.5	0.6	0.7	0.8	0.8
Return Loss (dB)	Typ	14	14	14	14	14
	Min	12	12	10	10	10
10 MHz isolation (RF Port)	Min	90 dB	90 dB	90 dB	90 dB	90 dB
10MHz Input to MUX Port		-	-	-	-	-
Mean Insertion Loss (dB)	Max	0.3	0.3	0.5	0.5	0.5
L-band Isolation (10MHz Port)	Min	42 dB	42 dB	42 dB	42 dB	42 dB

Broadcast



Marine Oil & Gas



SNG & VSAT



Satellite Teleport





RF Components

Model Number:
MUXP-412000
L-Band Multiplexer

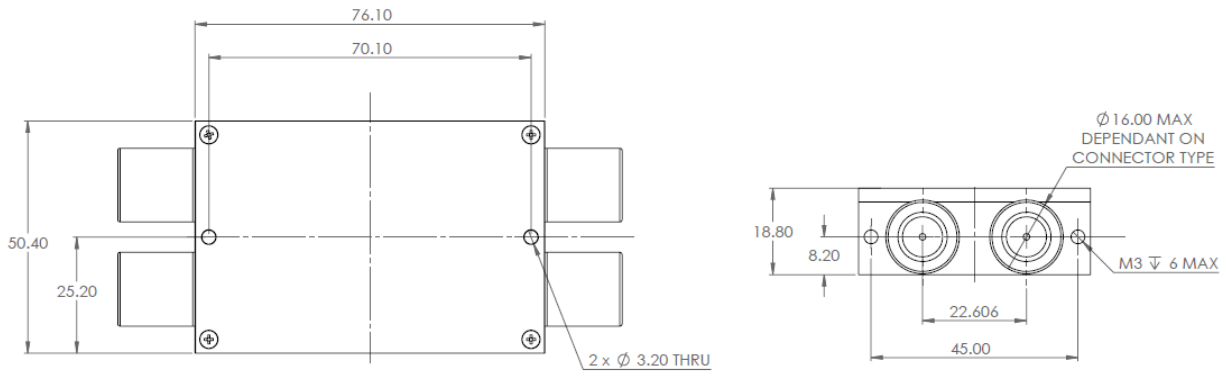
Technical specifications and operating parameters

Environmental		
Operating Temperature		0°C to +45°C
Storage Temperature		-20°C to +75°C
Location		Indoor use Only
Humidity	Max	85% non-condensing
Altitude	Max	10,000 feet

Max Operating Parameters	
Input RF Power	+21 dBm (125mW)
DC Voltage	50V on any RF port
DC Current	500mA
DC Consumption	n/a

! Operation beyond these limits may cause instantaneous and permanent damage.

Physical Dimensions (mm)



Note: The specification is subject to regular reviews and will be updated from time to time as part of our continuing product development and improved specification accuracy.

ETL SYSTEMS LIMITED
Coldwell Radio Station
Madley
Hereford
England HR2 9NE

TELEPHONE
+44 (0)1981 259020
EMAIL
info@etlsystems.com

FACSIMILE
+44 (0)1981 259021
WEB
www.etlsystems.com



V 1.0 E&OE